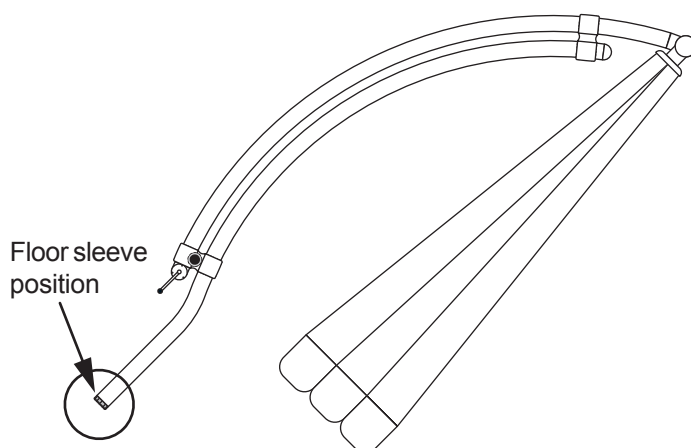


The repair instructions describe replacing the

- stand tube floor sleeve

in the *Easy Sun* PARASOL Hanging sunshade.

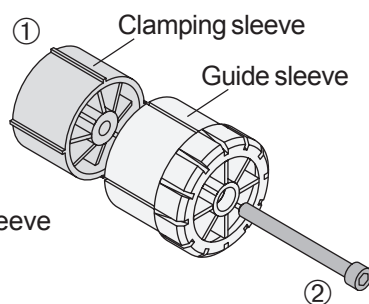
These repair instructions are intended only for persons with experience of using the tools required. Please read the instructions carefully through before working. Damages caused by non-observance of the instructions are excluded from any liability and guarantee



Included in delivery

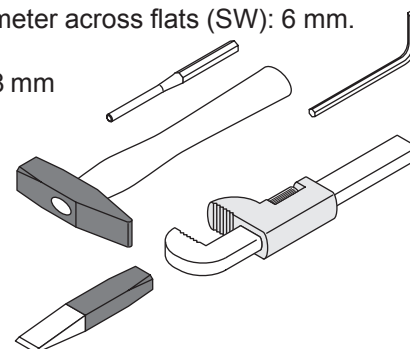
- ① Floor sleeve; consisting of clamp and guide sleeve

- ② Allen screw
Diameter across flats (SW): 6 mm



Tools required

- ❑ Allen key; Diameter across flats (SW): 6 mm.
- ❑ Drift punch; \varnothing 8 mm
- ❑ Hammer
- ❑ Pipe wrench
- ❑ Flat chisel



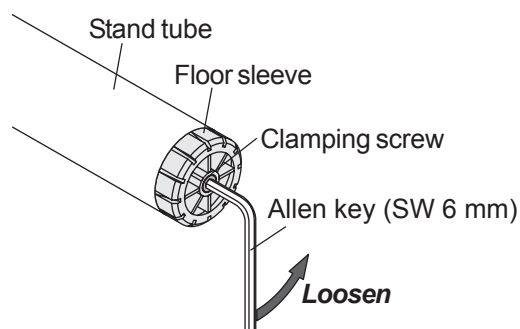
Installation



Note

- The defective floor sleeve cannot be removed without damage.
- To carry out repairs lie the sunshade on the floor.
To protect against damage you should place the sunshade on a suitable underlay (cardboard, carpet roll etc.).

- Loosen clamping screw with the Allen key (SW 6 mm).



REPAIR INSTRUCTIONS:

FLOOR SLEEVE

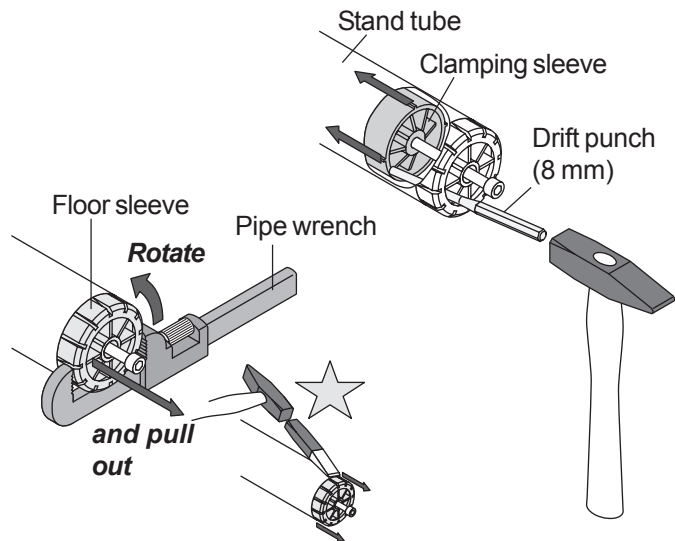
- Loosen the clamping sleeve by tapping back.

- Remove floor sleeve with pipe wrench by rotating out of the stand tube.

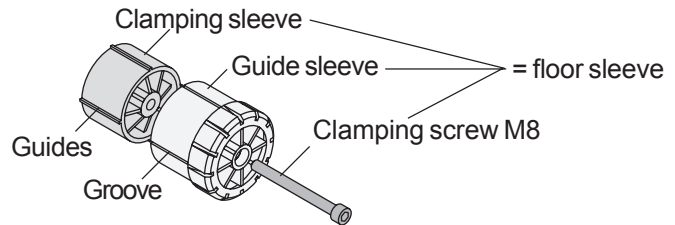


Note

If the guide sleeve is too firmly inserted, tap it out of the stand tube with hammer and chisel. At this point it is very easy to damage the stand tube.



- Prepare a new floor sleeve as shown in the sketch. When assembling, take care that the guides in the clamping sleeve mate in the guide sleeve grooves.

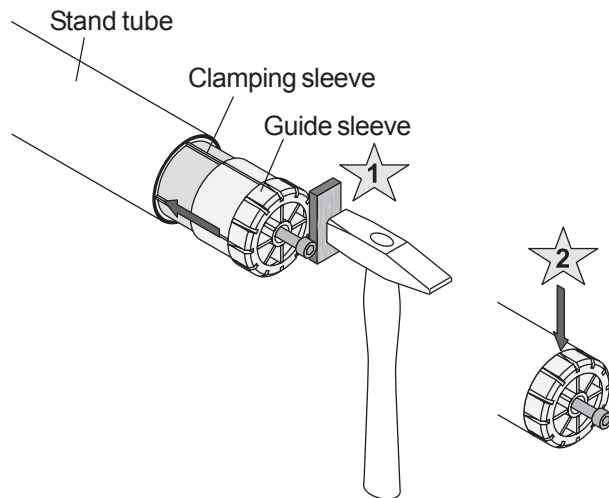


- Push the completed floor sleeve into the stand tube until the floor sleeve edge is flush with the stand tube.



Note

- Knock in tight-fitting floor sleeve with a hammer. Protect the floor sleeve by using a wooden board when knocking in.



Note

- When inserting, take care that the floor sleeve is adjacent to the stand tube.

- Tighten fixing screw with the Allen key (SW 6 mm).



Note

Tighten the fixing screw only so far that a slight deformation of the interior of the guide sleeve can be seen (maximum torque = 8 Nm). If you tighten the fixing screw too much the floor sleeve will be destroyed.

