

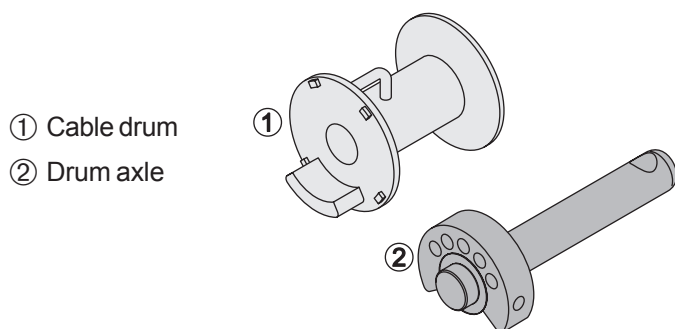
The repair instructions describe replacing the

- cable drum and drum axle

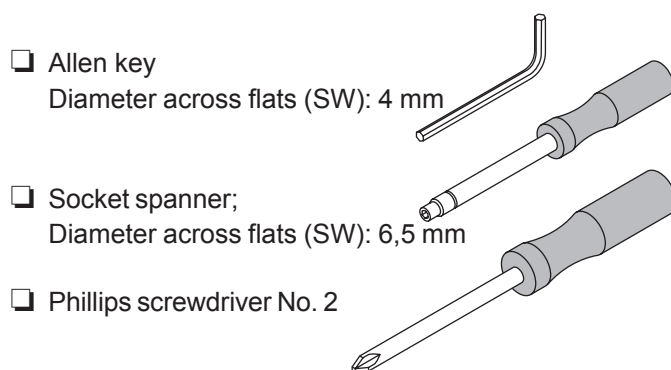
in the opening mechanics of the *Easy Sun* PARASOL hanging sunshade.

These repair instructions are intended only for persons with experience of using the tools required. Please read the instructions carefully through before working. Damages caused by non-observance of the instructions are excluded from any liability and guarantee

Included in delivery



Tools required



Safety note



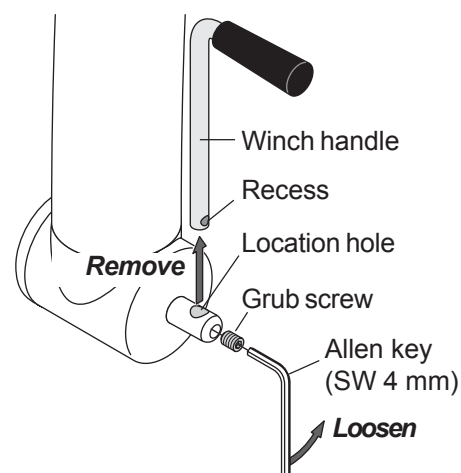
Caution: Risk of accidents!

- Only carry out the repairs described when the sunshade is closed.

Installation

1.0 Remove winch handle

- Loosen grub screw with Allen key (SW 4 mm).
- Withdraw winch handle from location hole.



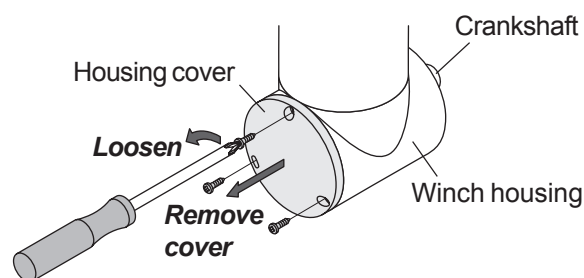
2.0 Removing the winch housing cover

- Loosen housing cover fixing screws with Phillips screwdriver.
- Withdraw cover from winch housing.



Note

If the cover is tight it can be released by lightly tapping the crankshaft with a rubber hammer or wooden block.



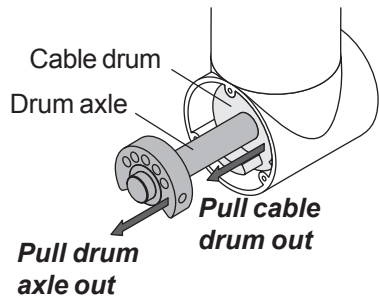
REPAIR INSTRUCTIONS:

CABLE DRUM AND DRUM AXLE

3.0 Replacing drum axle and cable drum

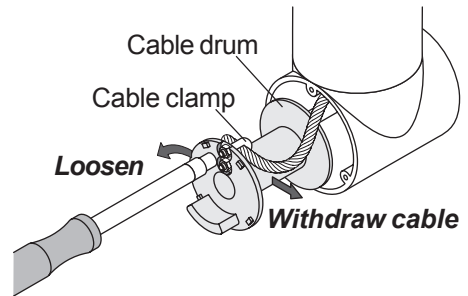
3.1 Remove old cable drum

- ⇨ Pull drum axle out of housing.
- ⇨ Pull cable drum out of winch housing.



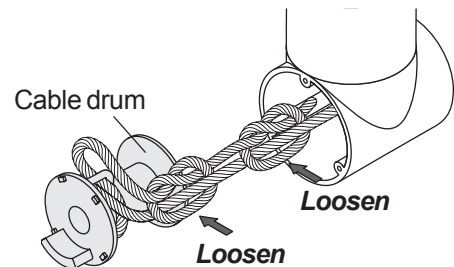
Depending on version:

- ⇨ Open cable clamp by loosening fixing screws and pull cable out of clamp.



or:

- ⇨ Loosen cable knot and remove cable.



3.2 Inserting new cable drum

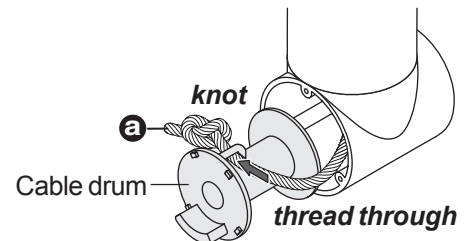
Easy Sun PARASOL:

- ⇨ Thread the cable from the right through the eye on the new cable drum and knot the cable.



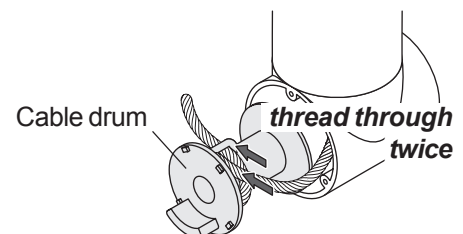
Note

- Keep the free cable end (a) as short as possible.



Easy Sun PARASOL Junior:

- ⇨ Thread the cable **twice** from the right through the eye on the new cable drum and

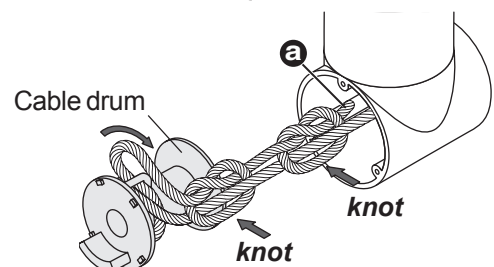


- ⇨ knot **twice** with the cable.

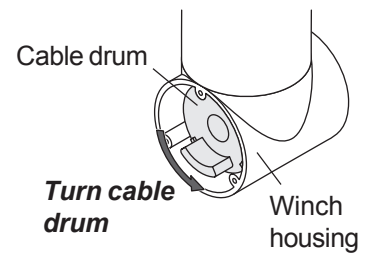


Note

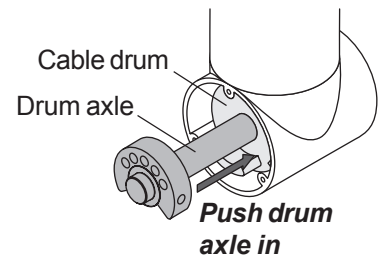
- Tie the knot as near as possible to the cable drum eye.
- Keep the free cable end (a) as short as possible.



- ⇨ Insert the cable drum in the winch housing.
- ⇨ Wind the cable on as far as possible by turning the cable drum to the left.



- ⇨ Push the drum axle in.
Ensure that the catch recess engages above the cable drum.



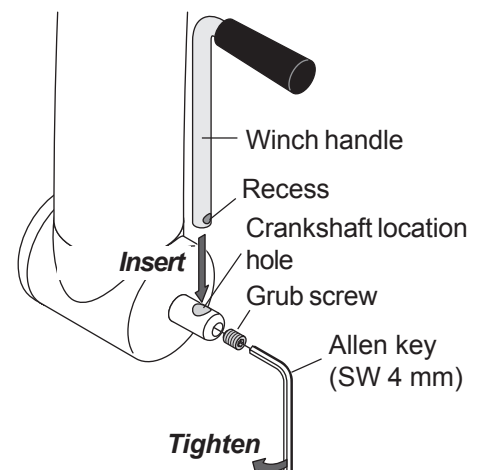
4.0 Inserting the winch handle

- ⇨ Insert the winch handle in the crankshaft location hole.
The recess in the handle must face the grub screw.
- ⇨ Insert grub screw and tighten.
When tightening, ensure that the grub screw engages exactly in the recess.



Note

Overtightening of the grub screw causes damage to the Allen screw.



5.0 Fitting the winch housing cover

- ⇨ Align the catch with the cable drum so that there is a gap between them.
- ⇨ Align the housing cover brake spring ends with the gap between the cable drum and the catch.
- ⇨ Insert the cover in the winch housing.



Note

If the cover does not align with the winch housing after insertion, this can be remedied by turning the handle lightly from one side to the other.

- ⇨ Insert fixing screws and tighten.

