

Assembly Instruction

Parasol Base

for The

EASY SUN PARASOL Sunshade

Introduction

The following instructions contain information about construction and care of the Easy Sun Parasol sunshade Parasol base.

Please read the instructions carefully through before setting up the Parasol base. Damages caused by non-observance of the instructions are excluded from any liability and guarantee.

The work described in these instructions is intended only for persons with experience of using the tools required.

Sun Garden GmbH • Emsdettener Straße 233 • D-48485 Neuenkirchen

Internet: www.sun-garden.de

We reserve the right to make alterations without prior notice due to technical improvements.
The following manual may neither be reprinted or copied without the prior consent of SUN GARDEN.

Contents

1.0 Safety information	2	5.0 Care	7
1.1 Important symbols	2	6.0 Storage	7
1.2 Safety information	2	7.0 Maintenance	7
2.0 Supply form / Delivery	2	8.0 Service Centre / spare part supply	7
3.0 Parasol base construction	3	9.0 Disposal	8
3.1 Parasol base	3	10.0 Spezifications	8
3.2 Reducer sockets	3	11.0 Guarantee	8
4.0 Setting up Parasol base	4	Guarantee certificate	9
4.1 Space requirement	4		
4.2 Selecting the location	5		
4.3 Preparation	5		
4.4 Setting up the Parasol base	5		

1.0 Safety information

1.1 Important symbols

Special information is labelled with the following graphics in the manual:



Caution!

This symbol identifies information which refers to danger of injury and accident.



Note

This symbol identifies general tips for handling.



Note

This symbol identifies information which can avoid damage to the Parasol base.

1.2 Safety information



Caution: *Tipping hazard!*

- Only set the Parasol base up on firm foundations.
- Always ensure that the Parasol base is firmly seated.

2.0 Supply form / Delivery



Note

All our products undergo rigorous testing for quality and completeness before delivery. Check the contents of the Parasol base packaging before starting assembly. If any components are missing or faults can be seen please contact your dealer. If possible you should keep the packaging for any guarantee work which may be necessary.

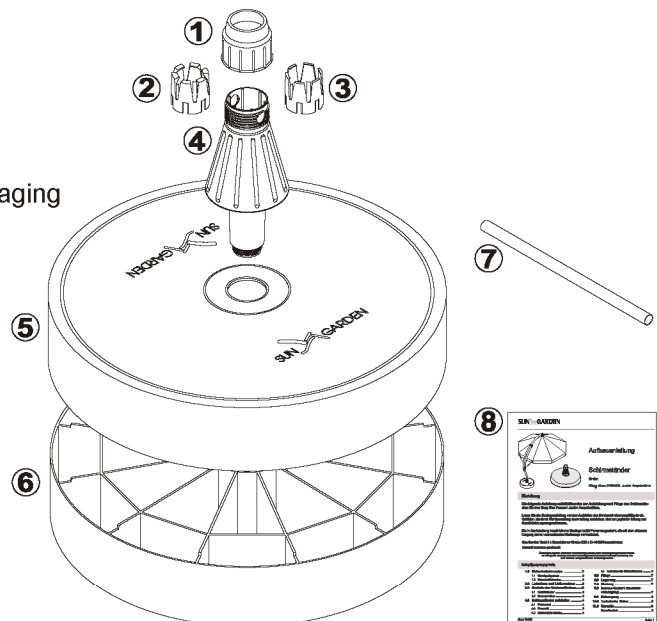
The Parasol base is delivered in stable cardboard packaging.

Dimensions: 870 x 970 x 190 mm
(34'' x 38'' x 7.5'')

Total weight: 13.5 kg (30 lbs.)

The following components are contained in the packaging

- ① one union nut
- ② one reducer socket No. 1; for stand tube diameter 40 - 55 mm (1.6'' - 2.0'')
- ③ one reducer socket No. 2; for stand tube diameter 56 - 70 mm (2.2'' - 2.75'')
- ④ one stand tube seat
- ⑤ one top foot cover
- ⑥ one bottom foot cover
- ⑦ one assembly tube
- ⑧ one assembly instruction



3.0 Parasol base construction

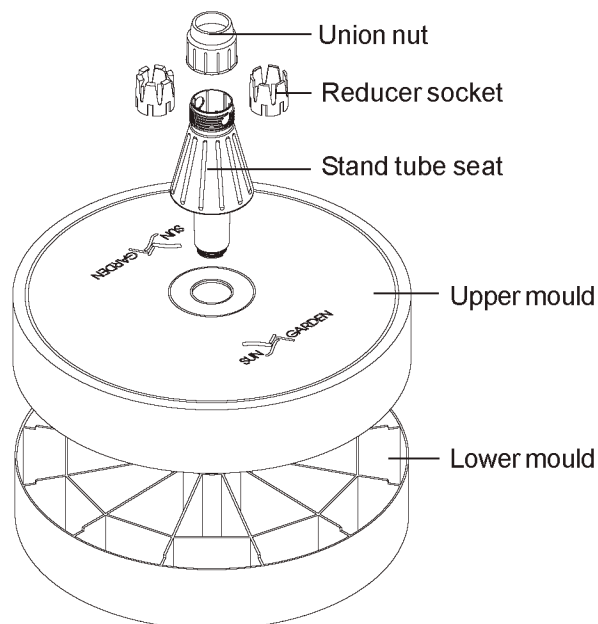
3.1 Parasol base

The Parasol base is manufactured from weather-resistant and shockproof plastic and is therefore insensitive to damage.

It is intended for setting up on firm foundations such as terrace floors, lawns etc.

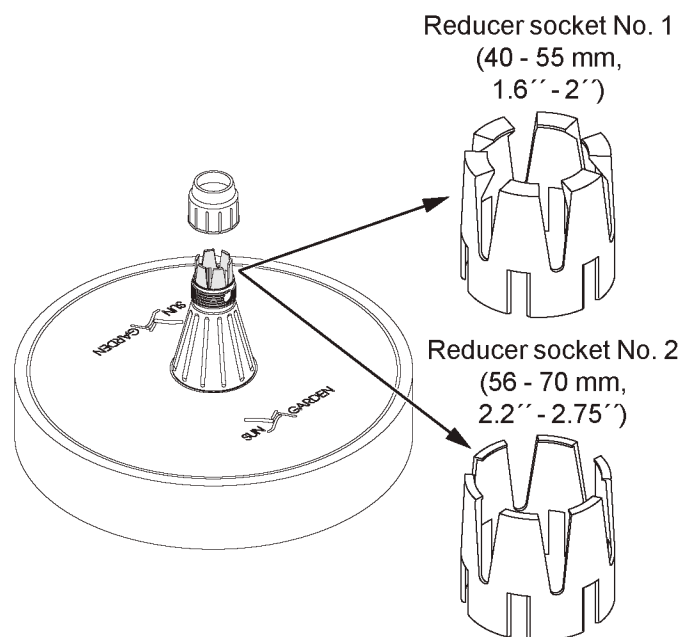
The Parasol base has a low self-weight (10 kg, 22 lbs.) which makes transport easier. It becomes stable when the Parasol base lower section is filled with a water-sand mixture or gravel.

Total weight when filled approx. 150 kg (330 lbs.).



3.2 Reducer sockets

Thanks to the use of different reducer sockets the sunshade Parasol base can be used with standard diameters of between 40 - 70 mm (1.6'' - 2.75'').



Caution! *Danger of injury due to high component weight!*

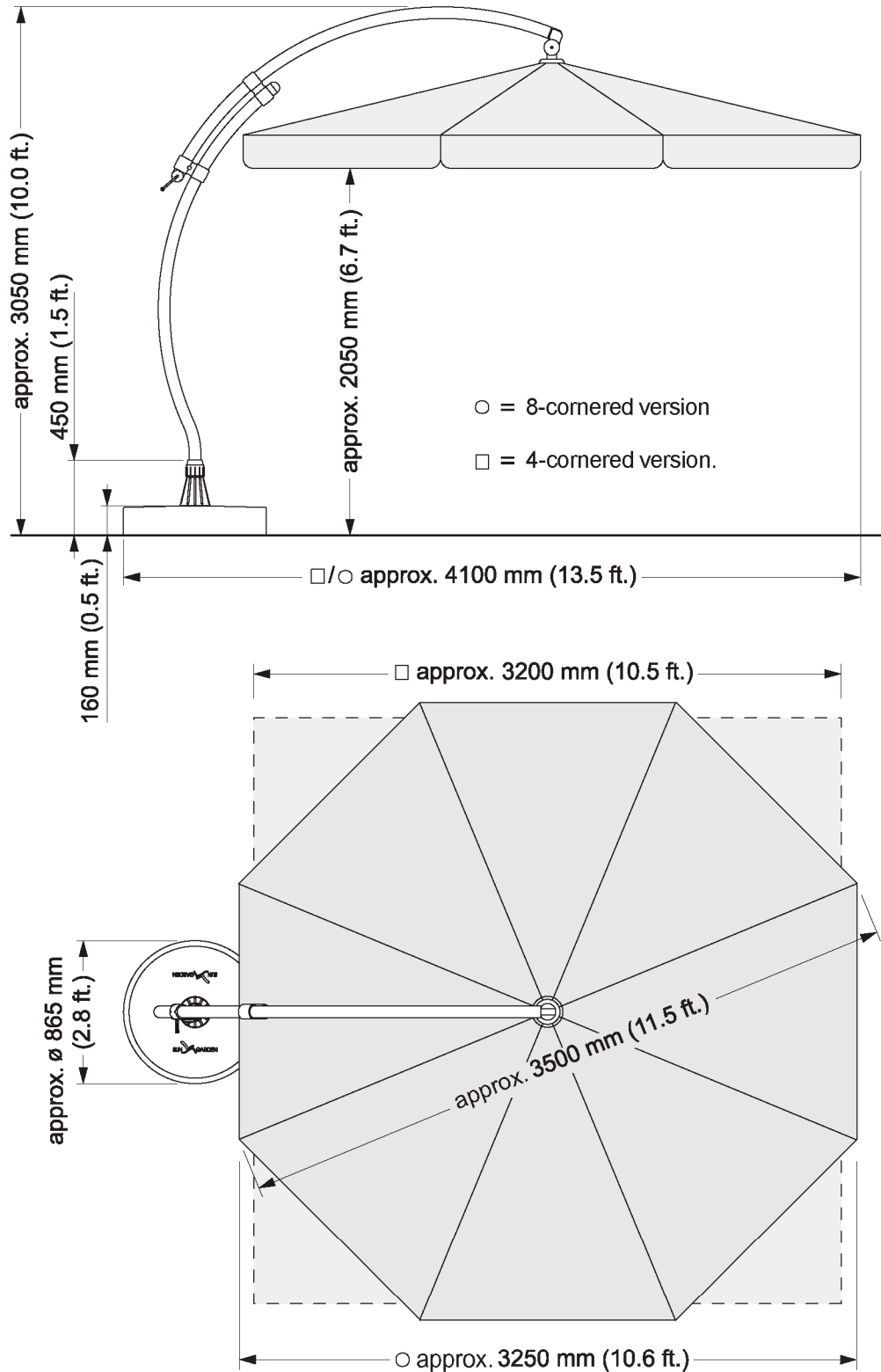
- Do not try to move the Parasol base when filled.
Always empty the Parasol base before moving it from its location.

4.0 Setting up Parasol base

4.1 Space requirement

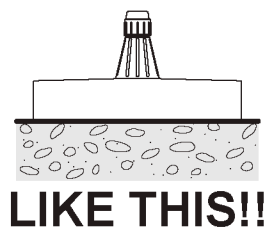
When selecting the location for your *Easy Sun* PARASOL sunshade make sure there is enough space between it and any nearby buildings, trees etc.

The following sketches show you the space required by an opened sunshade.



4.2 Selecting the location

The Parasol base must be set up on even, firm foundations.
The foundation must not settle even after longer loading by the weight of the Parasol base.



Caution: Tipping hazard!

- Only set the Parasol base up on firm foundations.
- Always ensure that the Parasol base is firmly seated.



Note

Check the contents of the packaging before starting assembly (chapter 1.0). If any components are missing please contact your dealer.

4.3 Preparation

The Parasol base can be filled with a sand-water mixture or gravel.

Filling quantity = 140 kg (309 lbs.)

- ◇ To make the sand-water mixture add enough water to the sand until it is evenly moistened.



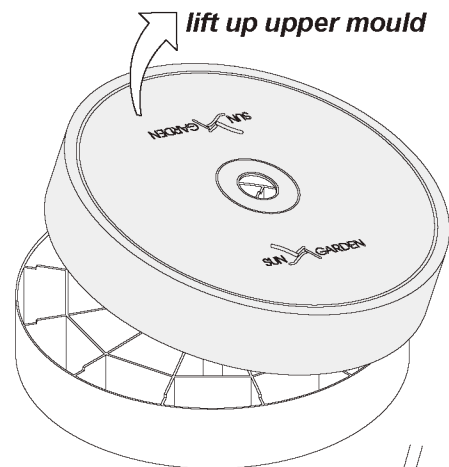
Caution: Tipping hazard!

Filling with sand or water only does **NOT** achieve the weight necessary to stabilise the Parasol base.

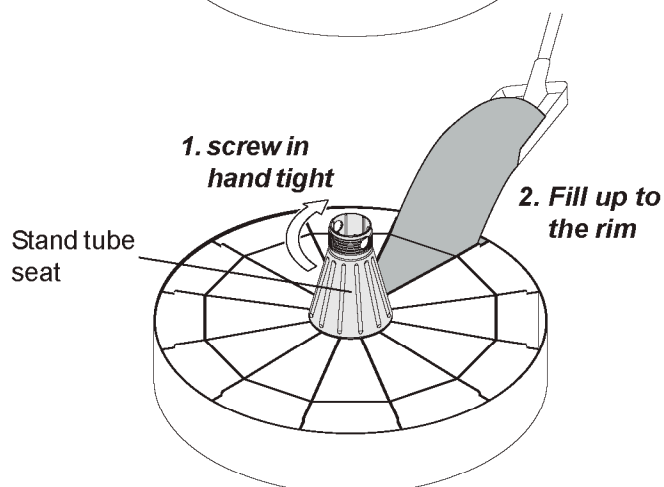
- It is imperative that you fill the Parasol base with a sand-water mixture.

4.4 Setting up the Parasol base

- ◇ Remove the Parasol base foot from the packaging and set it up at the location intended.
- ◇ Lift up the Parasol base foot upper mould.



- ◇ To protect the thread screw the stand tube seat into the lower mould until hand tight.
- ◇ Fill the lower Parasol base mould up to the brim.

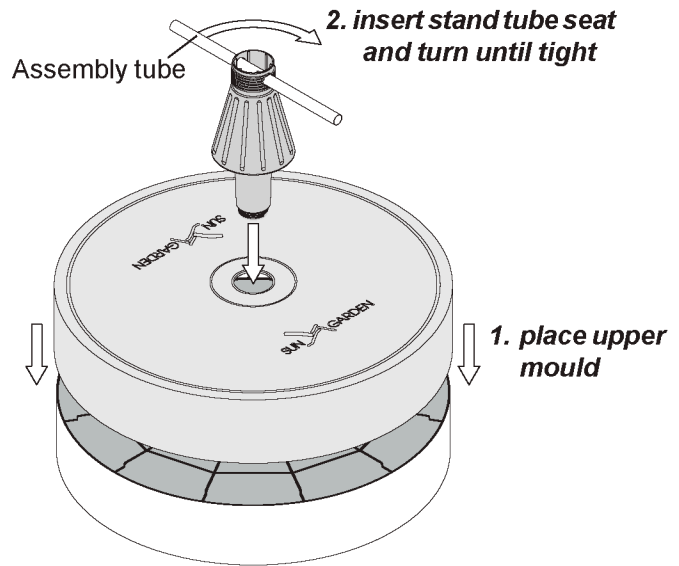


- Remove the stand tube seat and place the upper Parasol base mould on it.
- Now screw the stand tube seat in again and tighten with the assembly tube.



Note

If you overtighten the stand tube seat you will destroy the thread in the Parasol base.



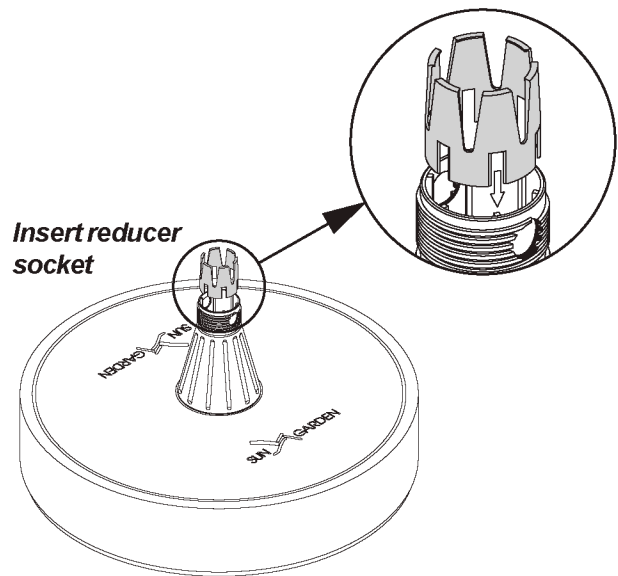
- Insert the reducer socket no. 2 for standard tube diameters 56 - 70 mm (2.2'' - 2.75'') in the stand tube seat. The grooves in the reducer socket must locate in the stand tube seat guides (see detail sketch).



Note

Reducer socket no. 1 included in delivery is for use with smaller sunshades with a stand tube diameter of 40 - 55 mm (1.6'' - 2'') together with our Parasol base.

Detail: Reducer socket No. 2

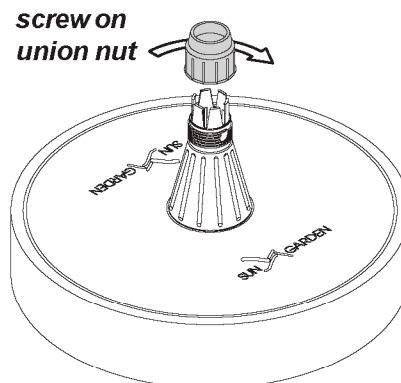


- Prevent the reducer socket from falling out by screwing on the union nut.



Note

Screw the union nut no more than three turns down, so that you can fit the sunshade in the Parasol base easily.



5.0 Care

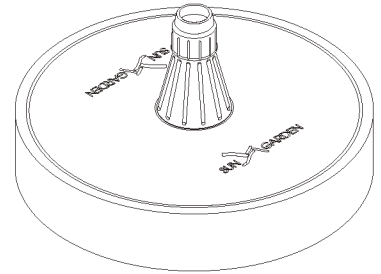
Clean all plastic components with a damp cloth. You can best remove heavy soiling with a mild detergent free of scouring agents.



Note

When cleaning do not use sharp-edged tools (knives, metal scrapers), aggressive solvents or cleaners containing scouring agents.

To avoid damage to component surfaces please observe the instructions for use provided with the cleanser.



6.0 Storage

The Parasol base must be stored in a dry and frost-free location over the winter.



Note

If possible you should use the original Parasol base packaging for storage.

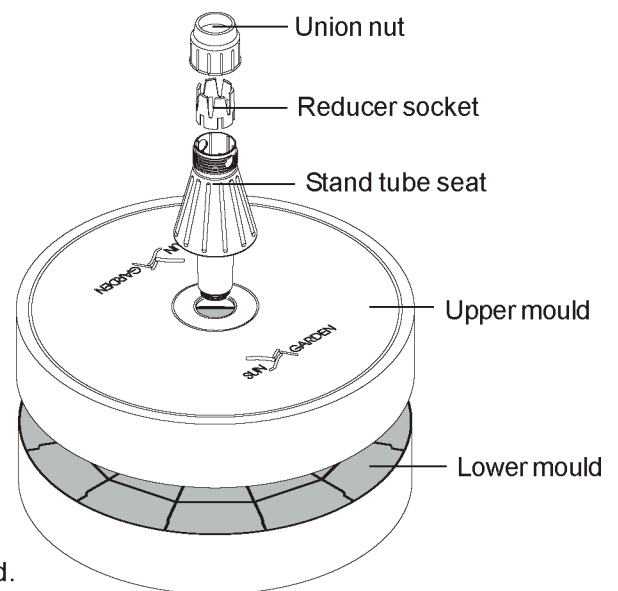
- Clean the Parasol base thoroughly.
- Remove stand tube seat and Parasol base upper mould.
- Remove the water-sand mixture from the Parasol base lower mould.
- Allow all parts to dry and store.



Caution: Risk of injury!

Do not try to move the Parasol base when filled.

Total weight when filled approx. 150 Kg (330 lbs.)



7.0 Maintenance

You should carry out a thorough inspection of the Parasol base for damaged components once a year, before the first setting up or before storage.

8.0 Service Centre / spare part supply

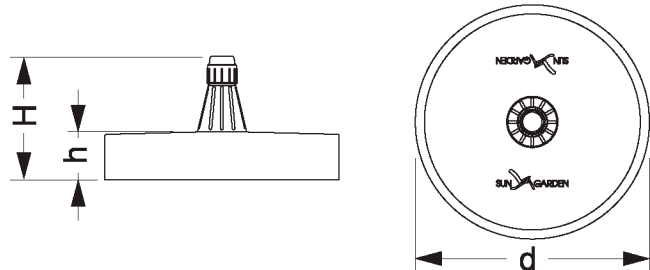
If you have any questions about setting up, require our repair service or wish to order spare parts, please contact one of our Service Centres (see Service Centre / ordering spare parts information sheet) or visit our Internet site at www.sun-garden.de.

9.0 Disposal

The Parasol base can be disposed of in plastic recycling waste.

10.0 Spezifications

Total height (H): = 450 mm (17.7'')
Footheight (h): = 160 mm (6.3'')
Diameter (d): = 865 mm (34.0'')
Weight empty: = 11.5 kg (25 lbs.)
Weight full: = approx. 150 kg (330 lbs.)



11.0 Guarantee

Sun Garden GmbH, Emsdettener Straße 233, 48485 Neuenkirchen, gives a product guarantee of two years on the basis that Sun Garden GmbH will replace or repair, as they see fit, parts which have become defective due to material or production faults.

The following are excluded from the guarantee:

- a.) Damages which occur as a result of non-observance of the assembly or operating manuals or of unauthorised repairs.
- b.) Products from which the fabrication number has been removed or destroyed.
- c.) Damages arising due to acts of God.

The guarantee certificate, completely filled out, and proof of purchase (till receipt) is required for proof of guarantee claims.

The guarantee becomes active on the day of purchase.

Please proceed as follows to process any guarantee claims arising:

- Fill out the guarantee certificate completely, including a short description of any faults.
- Provide your proof of purchase with the guarantee certificate.
- Bring the complete item (individual components see „Included in delivery“) back to your dealer, who will then deal with your guarantee claim.

This guarantee does not restrict the purchaser's defective goods rights with respect to post-fulfilment, repudiation, reduction or damage compensation against the seller.



Note

Please use the original packaging to transport the article if possible to avoid any further damage.