

The repair instructions describe replacing the

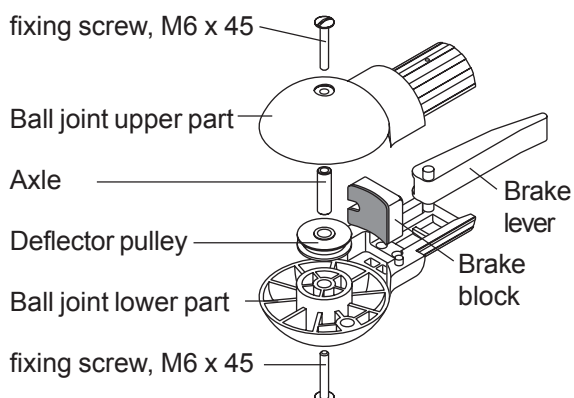
- ball joint

in the *Easy Sun* PARASOL Hanging sunshade.

These repair instructions are intended only for persons with experience of using the tools required. Please read the instructions carefully through before working. Damages caused by non-observance of the instructions are excluded from any liability and guarantee. The repairs described below should be carried out by two people.

Included in delivery

① Ball joint; consisting of:

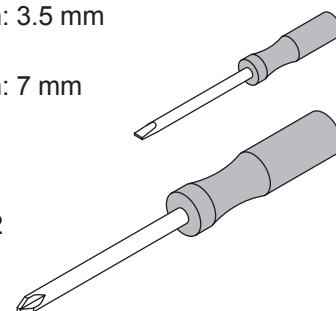


③ Cover for cable seat



Tools required

- Screwdriver; blade width: 3.5 mm
- Screwdriver; blade width: 7 mm
- Phillips screwdriver No. 2



Safety note



Caution: Risk of trapping!

There is increased risk of trapping at all sunshade frame joints.

- Bear these hazard locations in mind while working.

Contents

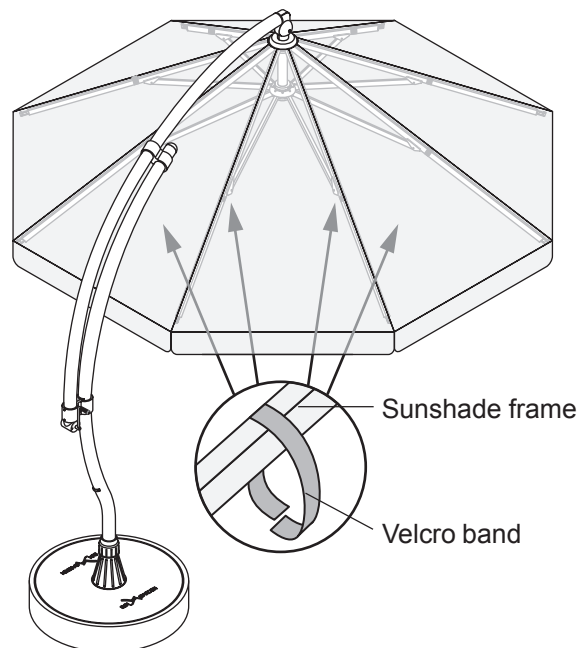
Installation

1.0	Removing sunshade cover	2
2.0	Releasing the cable	3
3.0	Removing the sunshade frame	4
4.0	Remove ball joint	4
5.0	Assembling the ball joint	5
6.0	Assembling the guide tube	7
7.0	Assembling the sunshade frame	8
8.0	Threading and fixing the cable	8
9.0	Refitting the sunshade cover	9
10.0	Final check	9

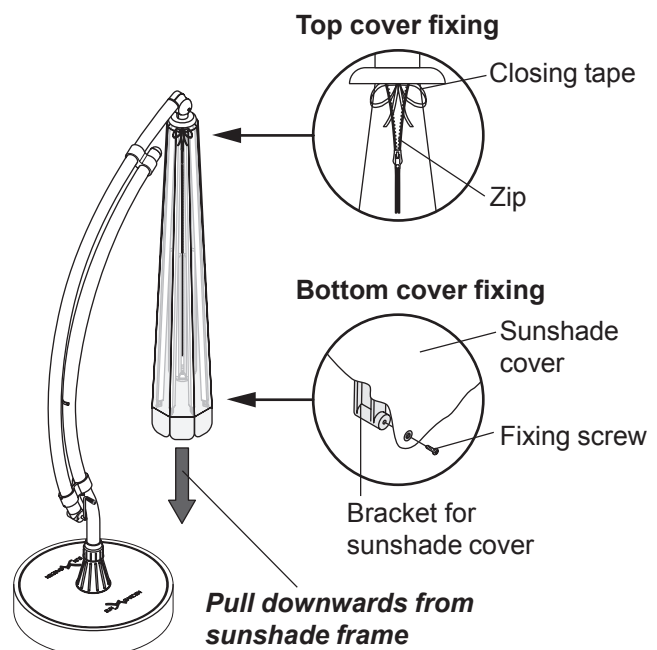
Installation

1.0 Removing sunshade cover

- Open the sunshade about half-way.
- Release all material velcro bands on the sunshade frame from the inside.



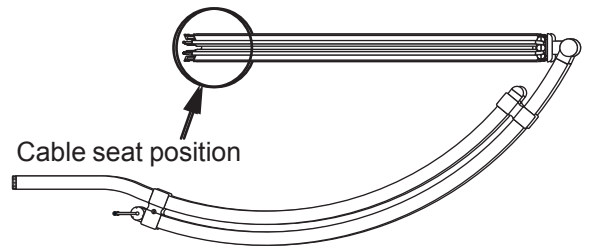
- Close sunshade and remove all screws in the sunshade cover bottom fixing with a Phillips screwdriver.
- Open zip and closing tape in top cover fixing and remove cover downwards from sunshade frame.





Note

To continue repair work lay sunshade on floor.
To protect sunshade against damage you should place it on a suitable underlay (cardboard, carpet roll etc.).



2.0 Releasing the cable

The seat for the cable is located on the lower frame seat.

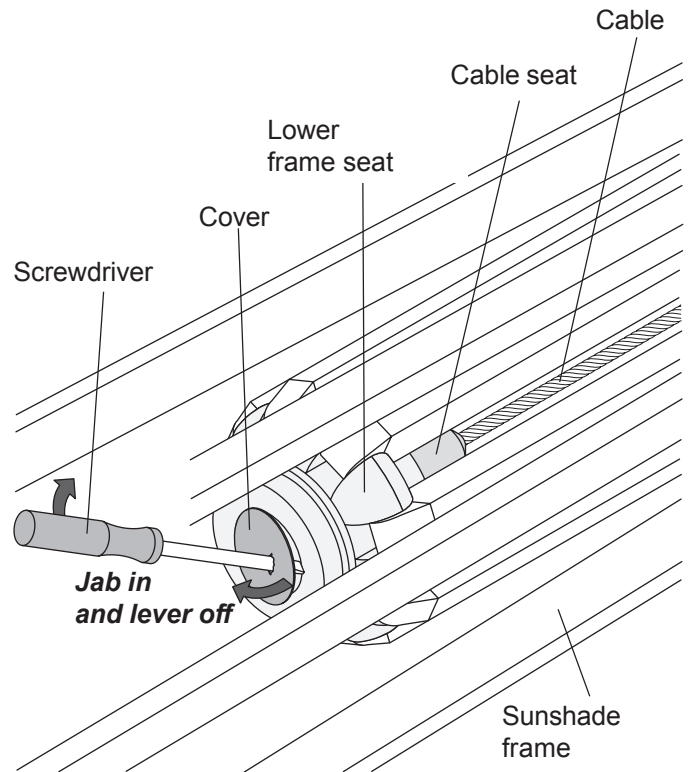
- Jab screwdriver through cable seat cover and lever off.



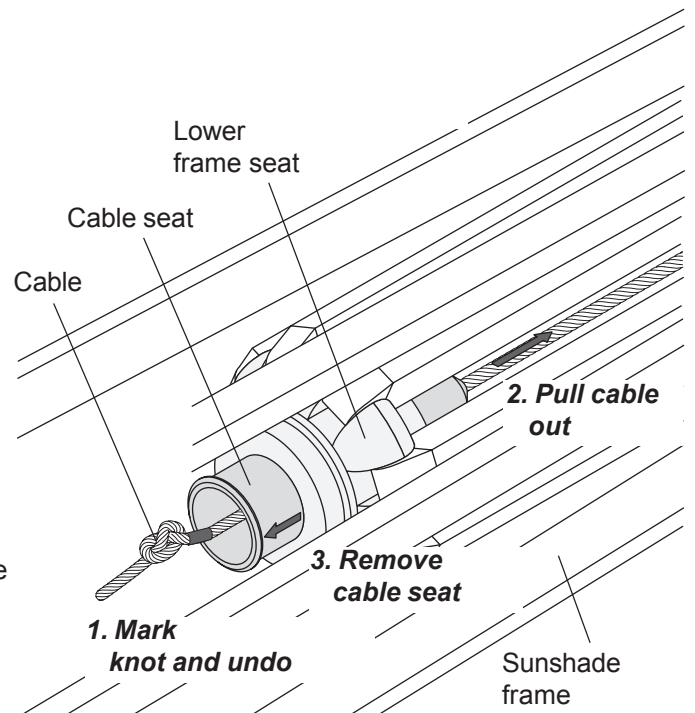
Caution: Risk of injury!

It is very easy to cause injuries with the screwdriver.

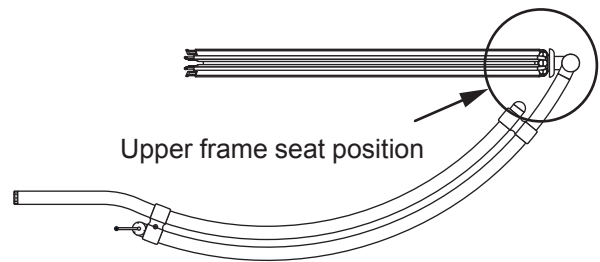
- Do not hold any limbs in the way of the screwdriver.



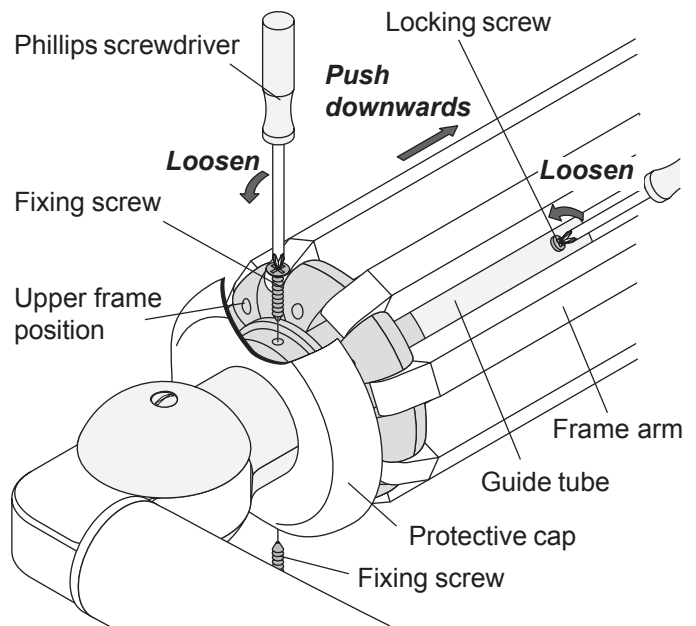
- Remove the cable from the cable seat forwards and mark the position of the knot with adhesive tape.
- Undo the knot and remove the cable from the seat.
- Withdraw the cable seat downwards out of the frame seat.



3.0 Removing the sunshade frame



- Loosen and remove side fixing screws between protective cap and upper frame seat with Phillips screwdriver.
- Unscrew the guide bush locking screw located on the side of the guide tube.
- Push the complete frame downwards out of the guide tube.
- Push the protective cap downwards off the guide tube.



4.0 Remove ball joint

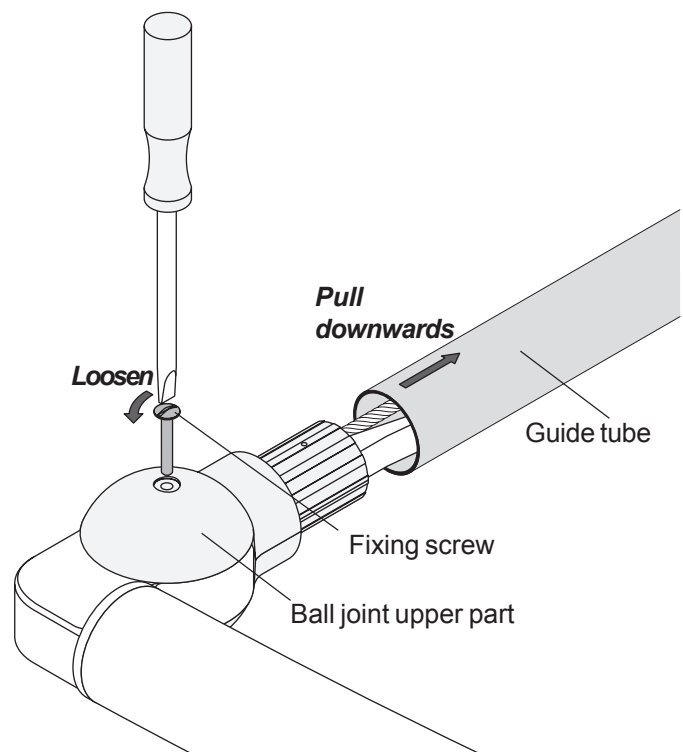
- Pull guide tube off ball joint.



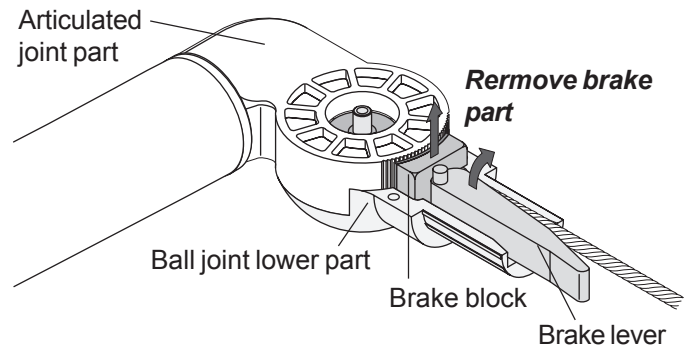
Note

Only pull the guide tube far enough so that the cable is not pulled out of it. This avoids you having to thread the cable in when re-assembling.

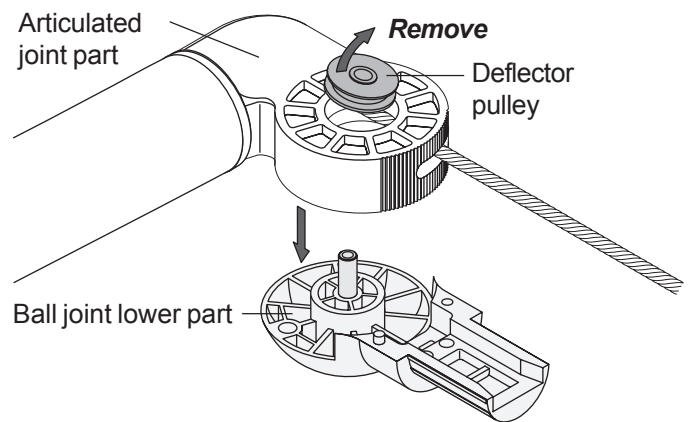
- Loosen fixing screw in ball joint upper part with screwdriver and remove upper part.



- Remove brake lever and brake block from ball joint lower part.



- Withdraw ball joint lower part from articulated joint part.
- Remove deflector pulley from articulated joint part.



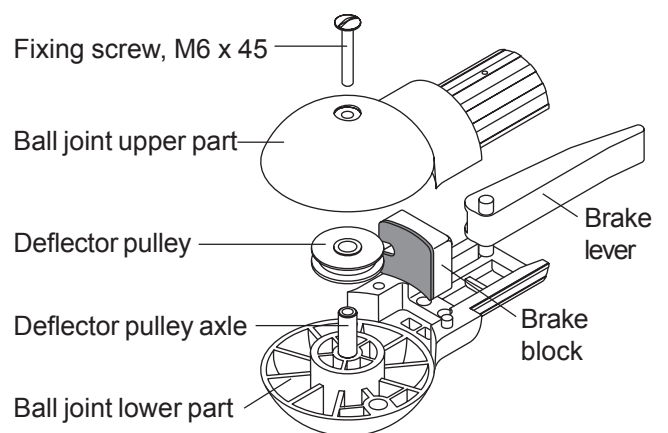
5.0 Assembling the ball joint

- Dismantle new ball joint and remove deflector pulley, brake lever and brake block.



Note

Leave the deflector pulley axle in part of the ball joint and then tighten the fixing screw.



REPAIR INSTRUCTIONS:

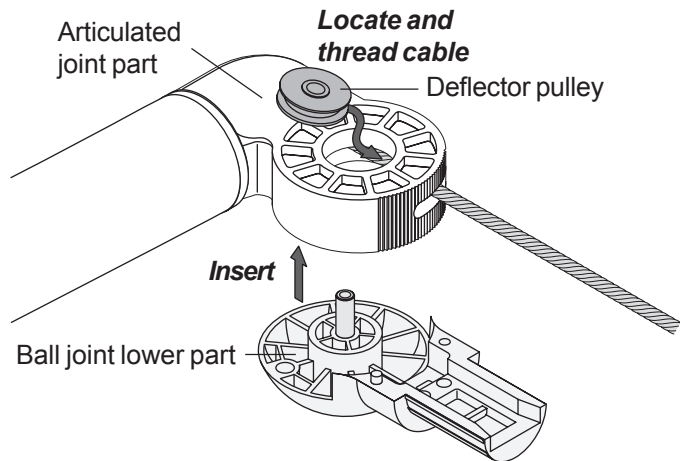
BALL JOINT

- Place deflector pulley in articulated joint part and thread cable in the deflector pulley guide groove.

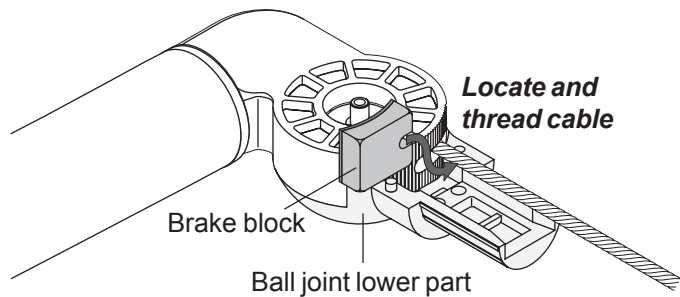
- Set the lower part provided with an axle into the articulated joint part and insert the axle into the deflector pulley.

Please give special attention to the following:

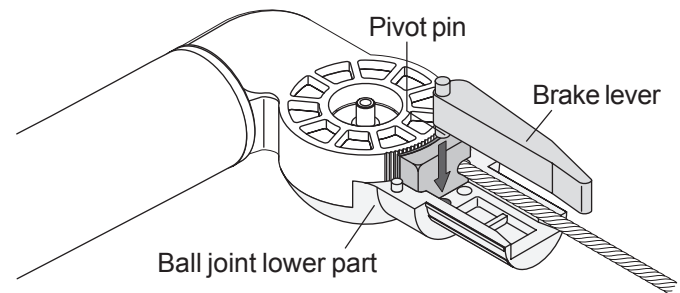
- make sure the deflector pulley does not jam in the articulated joint.
- ensure the cable is placed exactly in the deflector pulley guide.



- Place brake block in the assembled lower part and place cable in the brake block recess.



- Place brake lever with the pivot pin in the corresponding bore (●) in the lower part.

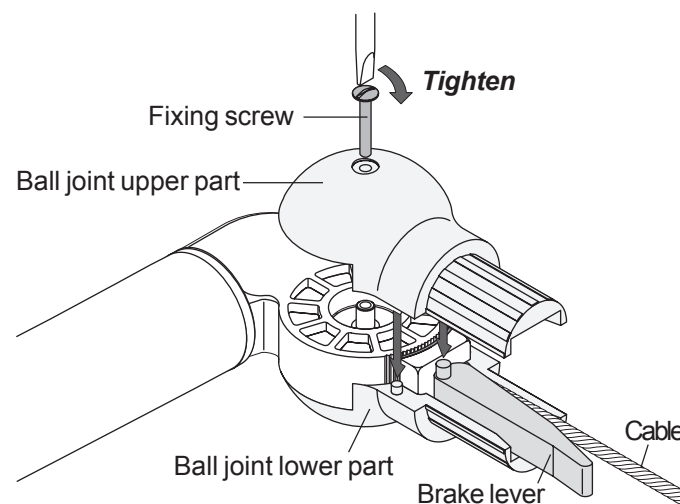


- Put ball joint upper part on.

Please give special attention to the following:

- ensure that the brake lever pivot pin and the upper part guide pin locates in the corresponding bores.
- ensure that the cable can move freely in the ball joint.

- Screw upper part fixing screw in and tighten.

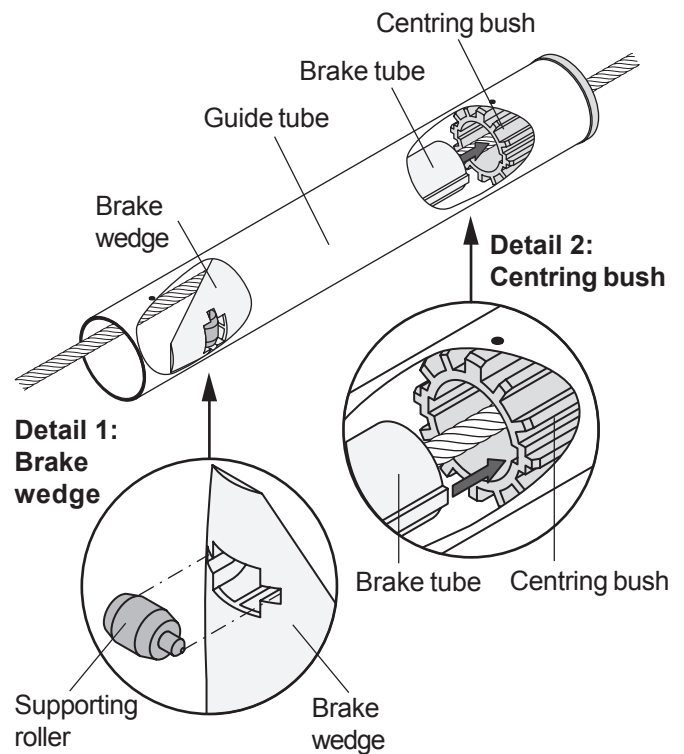


6.0 Assembling the guide tube

- Insert brake tube into guide tube.

Please give special attention to the following:

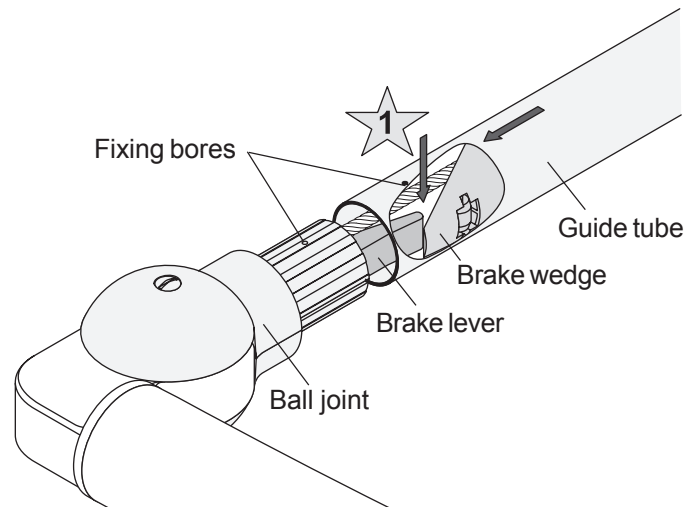
- ensure that the supporting roller is located in the brake wedge (see Detail 1).
- that the guides at the bottom end of the brake tube locate in the grooves in the centring bush in the guide tube (see Detail 2).



- Push guide tube onto ball joint shaft as far as stop, and align to fixing bores provided there.

Please give special attention to the following:

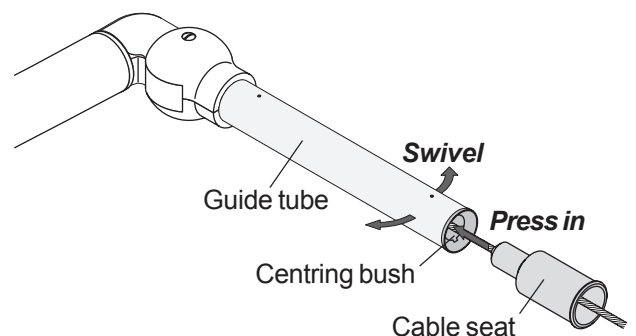
- the exact position of the brake wedge relative to the brake lever ☆.
- free movement of cable within the guide tube.



- Check the swivel brake function before further assembly.

Test sequence:

- remove cable seat from lower frame seat.
 - press the cable seat pins into guide tube centring bushes and try swivelling the ball joint.
- The brake is OK when the ball joint can only be swivelled with difficulty or not at all.



7.0 Assembling the sunshade frame

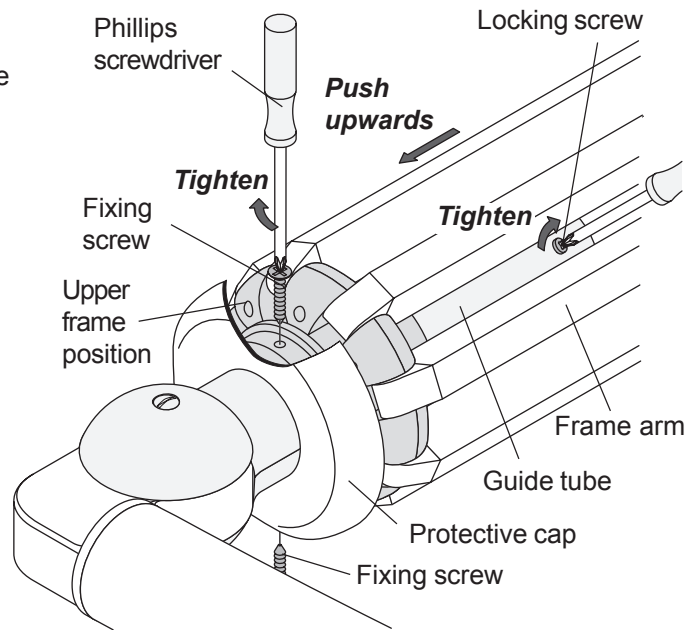
- ⇨ Push protective cap and upper sunshade frame frame seat onto guide tube as far as the stop.
- ⇨ Align the side bores in the upper frame seat with the fixing bores in the guide tube and ball joint.
- ⇨ Screw in the fixing screws in the frame seat with a Phillips screwdriver and tighten.



Note

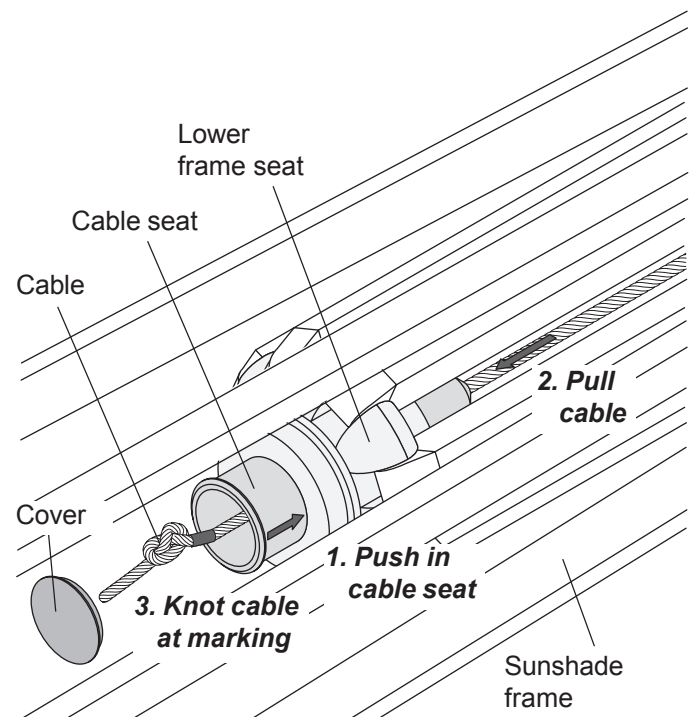
- When screwing in the fixing screws, ensure that the drill holes do not slip.
- Overtightening of the fixing screws leads to destruction of the guide tube.

- ⇨ Screw in the guide bush locking screw located on the side of the guide tube.



8.0 Threading and fixing the cable

- ⇨ Push the cable seat into the frame seat from below.
- ⇨ Thread the cable in the cable seat.
- ⇨ Knot the cable at the adhesive tape marking.
- ⇨ Close off the opening for the cable seat by pushing in the cover.



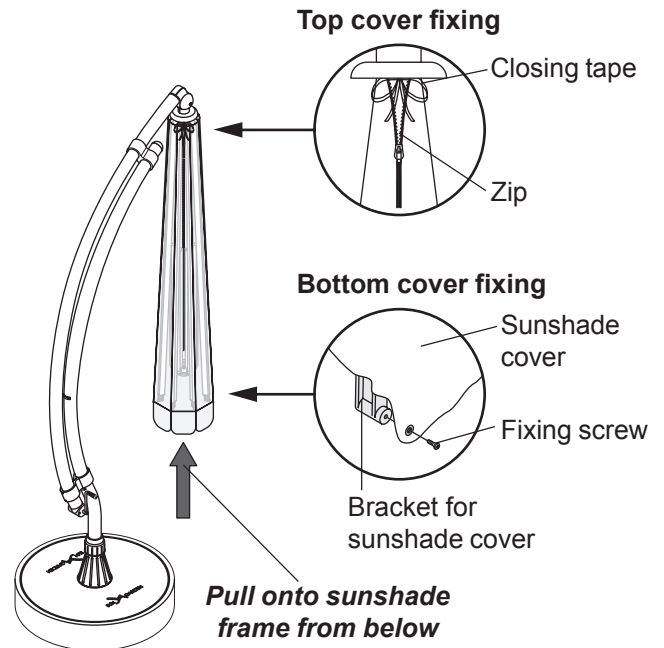
9.0 Refitting the sunshade cover



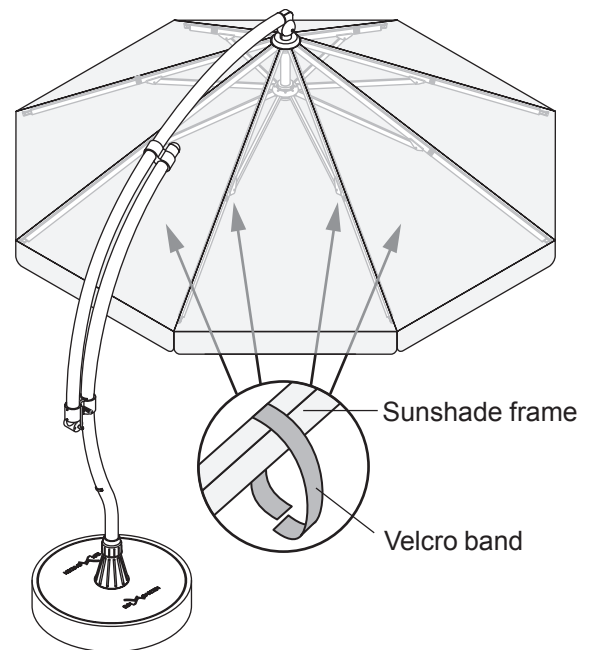
Note

Before refitting the sunshade cover place the sunshade in the sunshade stand. Use a ladder to refit the cover.

- Push the sunshade cover onto the sunshade frame from below.
- Close the closing tape and zip in the upper cover fixing.
- Screw in all screws on the lower cover fixing.



- Open the sunshade about half-way and fix all velcro bands to the sunshade frame.



10.0 Final check

Check all sunshade adjustment functions for correct functioning after you have completed the repairs.

